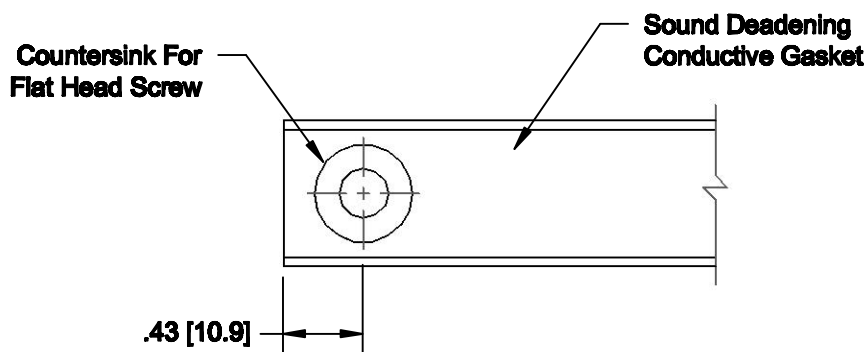
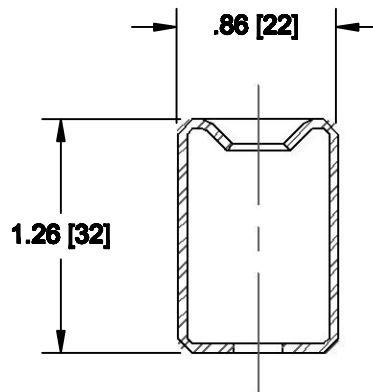


SIDE SECTION VIEW



TOP END VIEW



END SECTION VIEW

NOTE: Cut-Sheet drawing and specifications are subject to change without prior notice.

**SS-2
2' RIGID GRID STRINGER**

	ASM Modular System Inc.®	
	9500 Industrial Center Dr.	Tel: 843-534-1110
	Ladson, SC, 29456	Fax: 843-534-1111
	www.asmproducts.com	

8/07

CS-1270